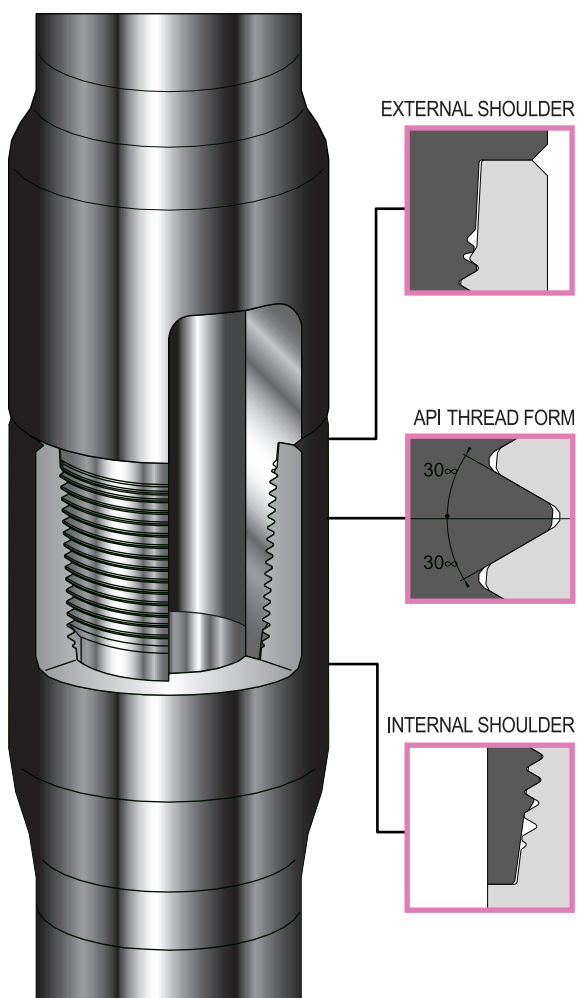


# Greater Drilling Capabilities, Extended Service Life.

VAM EIS® high strength drill pipe connections set a new performance standard at cost efficiencies similar to that of API.



VAM EIS® is a high-torque connection that is fully interchangeable with API but incorporates a double-shoulder design. The additional torsional strength provides exceptional performance in difficult well conditions.



VAM EIS allows smaller ODs and larger IDs to achieve a slimmer profile than current API connections while maintaining the required torque. Alternatively, using the VAM EIS connection with current API ODs and IDs results in connections with a torque capacity about 1/3 higher than API torque capacities.

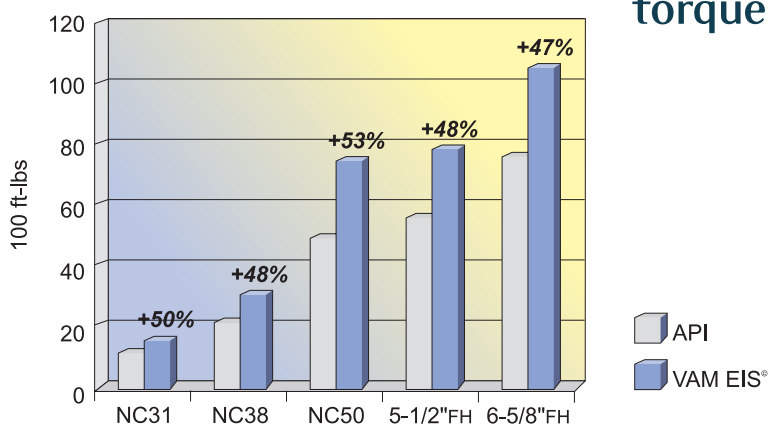
VAM EIS is a first generation double-shoulder connection which offers:

- Higher torsional strength
- Improved hydraulics
- Optimum for sour service
- Longer service life
- Fully intermateable with API connections

VAM Drilling proprietary drill pipe connections are supported by a worldwide network of licensed repair centers.

VAM EIS offers significantly higher torsional performance than API connections. The additional strength provides the higher torque required for deviated wells and drilling to extended depths.

## Torque Benefit



	API (120 ksi)	API Sour (95 ksi)	VAM EIS® (95 ksi)
Tool Joint OD ID	6 5/8" 3 1/2"	6 5/8" 3 1/2"	6 5/8" 3 1/2"
Torsional Yield (ft-lbs)	45 130	35 730	49 820
Make-up Torque (ft-lbs)	27 077	21 436	29 891

VAM Drilling incorporates the complete product lines of V&M Tubes Drilling Products, Omsco Inc. and SMF International.  
VAM EIS® is a registered trademark of Vallourec Mannesmann Oil & Gas France.  
VAM® is a registered trademark of Vallourec Mannesmann Oil & Gas France.



Vallourec Group