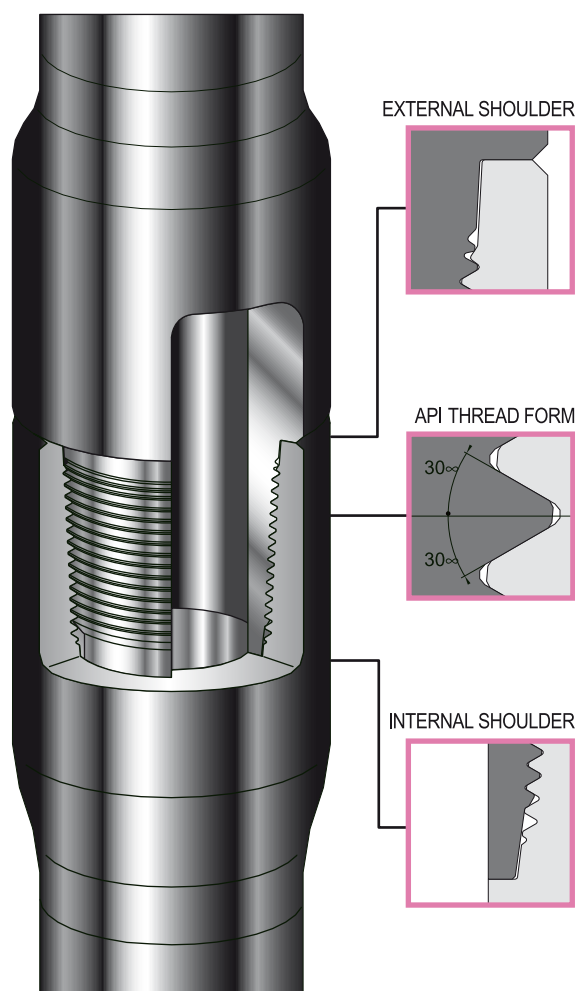


# Greater Drilling Capabilities, Extended Service Life

VAM EIS<sup>®</sup> high strength drill pipe connections set a new performance standard at cost efficiencies similar to that of API.



VAM EIS<sup>®</sup> is a high-torque connection that is fully intermateable with API but incorporates a double-shoulder design. The additional torsional strength provides exceptional performance in difficult drilling conditions such as Extended Reach Drilling.



VAM EIS allows smaller ODs and larger IDs than current API connections improving hydraulics while maintaining the required torque. Alternatively, using the VAM EIS connection with current API ODs and IDs results in connections with a torque capacity about 40% higher than API torque capacities.

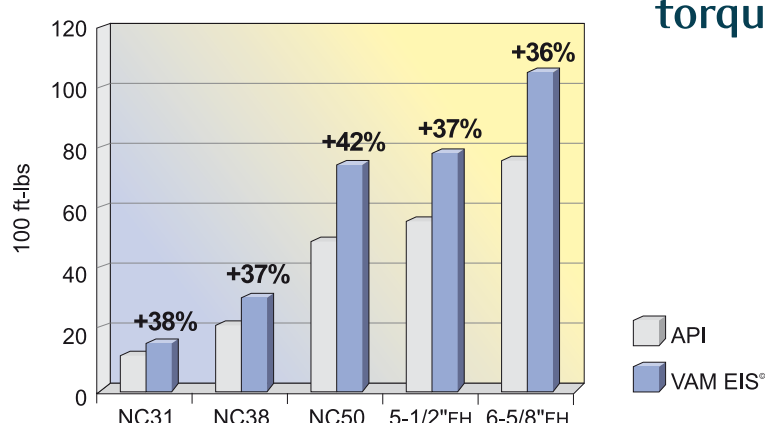
VAM EIS is a first generation double-shoulder connection which offers:

- Higher torsional strength
- Improved hydraulics
- Longer service life
- Full intermateability with API connections

VAM Drilling proprietary drill pipe connections are supported by a worldwide network of licensed repair centers.

VAM EIS offers significantly higher torsional performance than API connections. The additional strength provides the higher torque required for deviated wells and drilling to extended depths.

## Torque Benefit



	API (120 ksi)	API Sour (105 ksi)	VAM EIS <sup>®</sup> (105 ksi)
Tool Joint OD (in) ID (in)	6-5/8 3-1/2	6-5/8 3-1/2	6-5/8 3-1/2
Torsional Yield (ft-lbs)	44,500	38,900	55,100
Make-up Torque (ft-lbs)	26,700	23,300	33,000

VAM Drilling incorporates the complete product lines of V&M Tubes Drilling Products, Omsco Inc. and SMF International.  
VAM EIS<sup>®</sup> is a registered trademark of Vallourec Mannesmann Oil & Gas France.  
VAM<sup>®</sup> is a registered trademark of Vallourec Mannesmann Oil & Gas France.