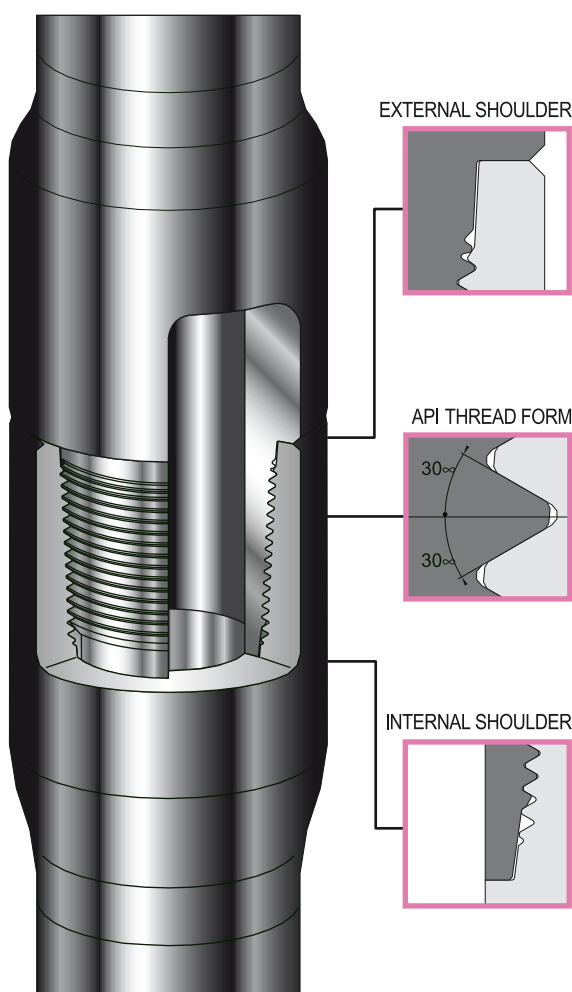


Drill better and faster with compatible premium connections

VAM CDS™ high strength drill pipe connections are fully compatible with API and certain other double shoulder connections on the market.*



In deep well conditions, VAM CDS has additional torsional strength which provides exceptional performance.



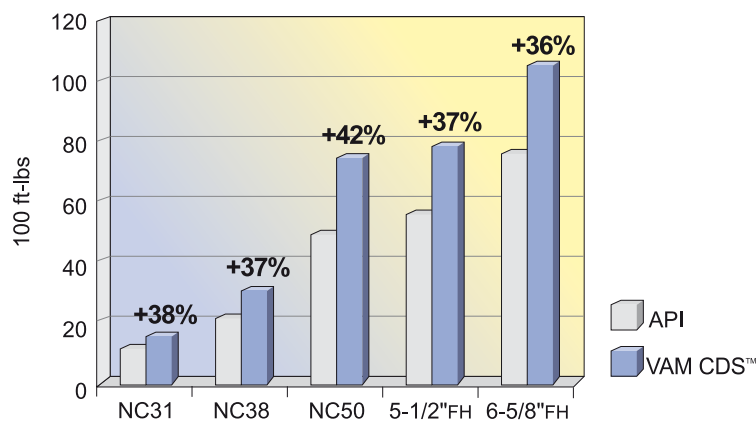
VAM CDS allows smaller ODs and larger IDs to achieve a slimmer profile than current API connections while maintaining the required torque. Alternatively, using the VAM CDS connection with current API ODs and IDs results in connections with a torque capacity about 1/3 higher than API torque capacities.

VAM CDS is a first generation connection which offers:

- Higher torsional strength,
- Improved hydraulics,
- Optimum for sour service,
- Longer service life,
Fully intermateable with API connections and with certain other double shoulder connections on the market.

VAM CDS offers significantly higher torsional performance than API connections. The additional strength provides the higher torque required for deviated wells and drilling to extended depths.

Torque Benefit



	API (120 ksi)	API Sour (105 ksi)	VAM CDS™ (105 ksi)
Tool Joint OD (in) ID (in)	6-5/8 3-1/2	6-5/8 3-1/2	6-5/8 3-1/2
Torsional Yield (ft-lbs)	44,500	38,900	55,100
Make-up Torque (ft-lbs)	26,700	23,300	33,000

VAM drilling proprietary drill pipe connections are supported by a worldwide network of licensed repair centers.

* Please contact your nearest VAM Drilling Office to confirm connection compatibility with CDS.

VAM Drilling incorporates the complete product lines of V&M Tubes Drilling Products, Omsco Inc. and SMF International.
VAM CDS™ is a registered trademark of Vallourec Mannesmann Oil & Gas France.
VAM® is a registered trademark of Vallourec Mannesmann Oil & Gas France.